

Easton 1 Round SmartPak

Round Front, Vitreous China Two-Piece Toilet

Round
Front



FEATURES

- Contemporary design
- 1.6 Gpf / 6.0 Lpf
- TotalFlush™ flushing technology for a reliable flush first time — every time.
- 2" glazed trapway
- Available in White and Bone
- Outstanding protection — The Mansfield® limited lifetime warranty



Model No.	Description	Approx. Wt.
820-40	Round front, (1.6 Gpf/6.0 Lpf) two-piece toilet. 12" rough-in. Includes toilet seat, wax ring, floor bolts and bolt caps. Specify color.	70 lbs. (32 kg)



TotalFlush®

Easton 1 Round SmartPak

Round Front, Vitreous China Two-Piece Toilet

FEATURES & UPGRADES

TotalFlush™ Flushing Technology

This gravity fed toilet features a 1.6 gpf / 6.0 lpf anti-siphon ballcock, durable flush valve and glazed trapway. TotalFlush™ offers a complete flush the first time — every time. Ideal for residential applications or light commercial use.



89-1012 Anti-Siphon Ballcock

The 89 anti-siphon ballcock affords efficient tank toilet operation at high or low water pressures. Adjustment screws allows water level adjustment without bending the float rod. Completely non-electrolytic and non-corrosive.



202-1012 Flush Valve

The 202 flapper style flush valve provide 1.6 gpf / 6.0 lpf water conservation efficiency. Plastic construction provided non-corrosive, long-life dependability. Won't rust or corrode.



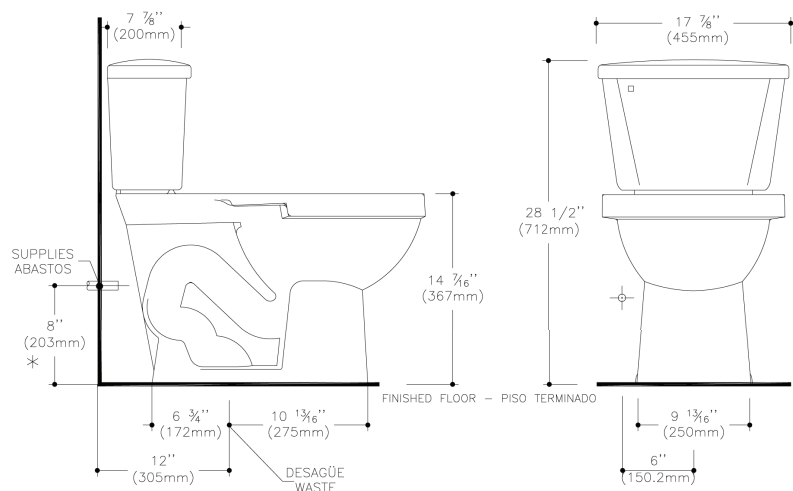
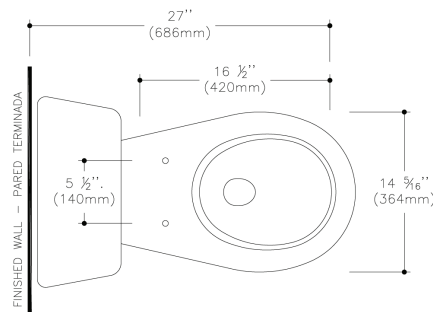
TECHNICAL INFORMATION

Material	Vitreous China
Water Pressure Range	20 to 80 P.S.I
Flush System	TotalFlush™ Flushing Technology
Water Usage	1.6 Gpf / 6.0 Lpf
Water Surface Area	8-1/2" x 6-1/2"
Trap Diameter	2-1/8"
Trap Seal	2"
Rough-in	12"
Warranty	Vitreous China - Limited Lifetime; Tank Trim - Limited One Year

These dimensions are nominal and are subject to change without prior notice.

Fixture performance and specifications meet or exceed, ANSI/ASME A112.19.2 standards and CAN/CSA B45.0 standards, and other state and local codes.

See our complete line of acrylic and vitreous china bathroom fixtures, plastic tank trim and plumbing products.



NOTE: Install this product according to the installation guide. Fixture dimensions are nominal and conform to tolerances in ASME Standard A112.19.2